



De Sisti Lighting S.p.a.

Via Cancelliera # 10a, 00040 Albano Laziale (Rome- Italy).

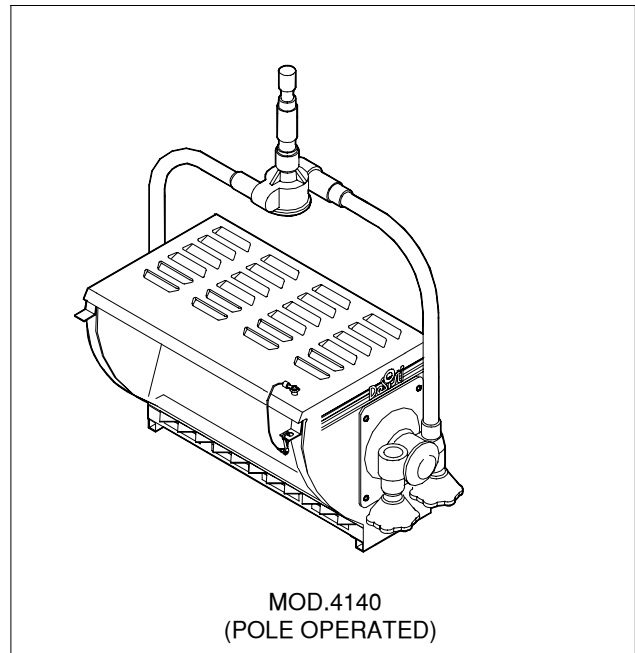
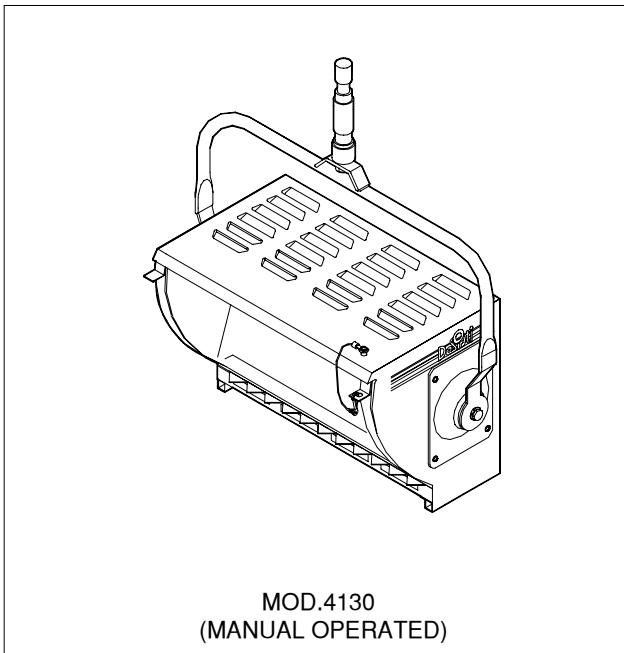
Tel. **+39/06/934991** Fax. **+39/06/9343489**

U.R.L. Address: www.desisti.it E-mail address: desisti@desisti.it

GIOTTO

Quartz - Halogen Top Cyclorama Light

INSTRUCTION MANUAL



MANUFACTURER

De Sisti Lighting S.p.a.

Via Cancelliera # 10a, 00040 Albano Laziale (Rome- Italy).

Tel. +39/06/934991 Fax. +39/06/9343489

U.R.L.: www.desisti.it E-mail: desisti@desisti.it

REPRESENTATIVE

1. INTRODUCTION

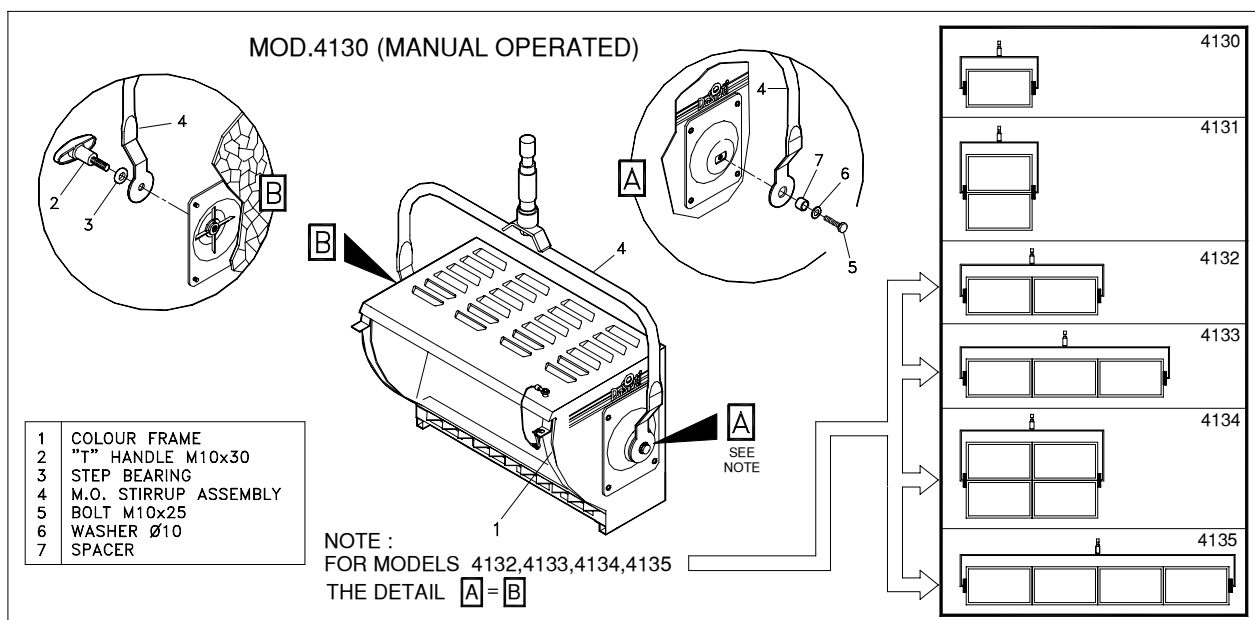
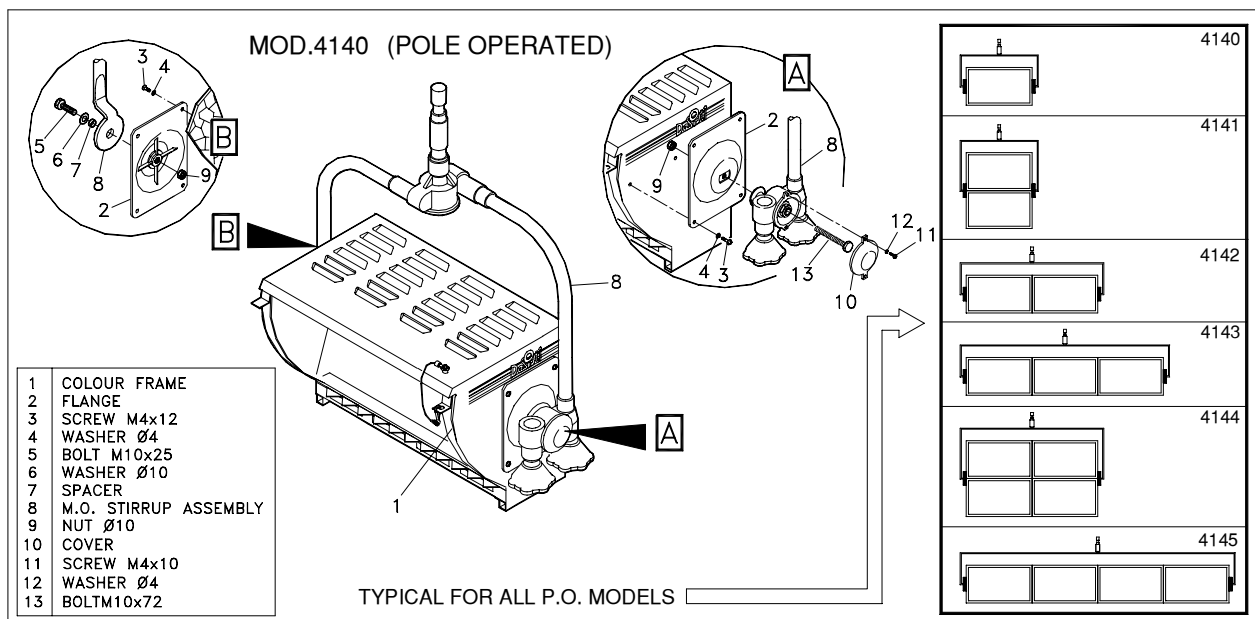
Congratulations on your purchase of a GIOTTO lighting fixture from De Sisti Lighting .Our commitment to Total Customer Satisfaction and our consolidated experience and leadership in design innovation and manufacturing of lighting products for the professional Entertainment Industry means you can depend upon the quality of this product.

The GIOTTO is a compact, high quality top cyclorama light; its modular construction allows for various configurations by assembling 2, 3 or 4 pcs of its basic compartment.

Each compartment accepts double ended quartz-halogen lamps, with R7s caps, of different overall lengths (that you have specified on the order): 189 mm (suffix .110), 119 mm (suffix .210), 167 mm (only 120 V, suffix .410).

The max Powers are respectively 1250 W (230 V) and 1500 W (120 V) . See usable lamp section for details.

2. YOKE AND ACCESSORIES ASSEMBLY




3. SAFETY INSTRUCTIONS

- **Professional use:** This luminaire has been designed for professional use and must be operated by qualified personnel only. **Not for residential use.**
- **Grounding: WARNING:** THIS LUMINAIRE MUST BE GROUNDED
- **Electrical connections: IMPORTANT** The cores in this mains lead are colored in accordance with the following code:

	Europe	America
Ground	Green & yellow	Green or green & yellow
Neutral	Blue	White
Live	Brown	Black

In case the colors of the cores do not correspond to the colors of the connection points on your plug, please proceed as follows:

- the green or green and yellow core must be connected to the connection point marked with the letter E or with the symbol  or colored in green or in green - yellow;
- the blue (or white) core must be connected to the connection point marked with the letter N or colored in black;
- the brown (or black) core must be connected to the connection point marked with the letter L or colored in red.

4. WORKING CONDITIONS

↻ Working Position	Lighting fixture: Max. Tilting 45° from horizontal (+/- 11 ° recommended)	Lamp: any for tilt position MAX +/- 4 ° Horizontal		
↻ Ambient Temperature, t _a	+45° C			
↻ Minimum distances from inflammable surfaces	Top	Back	Sides	Front
	0,25 m.	0,1 m.	0,1 m.	0,5 m.

The luminaire should never be OPERATED close to inflammable materials. The ones indicated in the above table are the minimum distances recommended. Other requirements for safe use are:

- A. Do not cover the apertures of the luminaire housing. They are essential for correct ventilation. Do not use on the floor. It reduces the ventilation.
- B. Use only original accessories and spares from De Sisti Lighting.
- C. Before hanging the luminaire ensure that the suspension point (or the stand) is properly rated to accept the luminaire weight.
- D. In case of pole operated use, fit only a P.O. stirrup from De Sisti Lighting.
- E. A suitable secondary safety suspension device (safety cable, chain or equivalent) must be fitted between the suspension point and the eyelet at the front of the body .

WARNING : DO NOT MOUNT THE LUMINAIRE ON A NORMALLY FLAMMABLE SURFACE .

5. INSTALLATION INSTRUCTIONS

Before connecting the luminaire to the electrical mains ensure that:

- A. Earth line is present on the power socket.
- B. The mains voltage is within the rated range of the luminaire (see technical data on the rating label)
- C. The lamp fitted:
 - is among the usable lamps (see point 6 or check with your De Sisti dealer)
 - has the same nominal voltage as the mains supply
 - has a nominal power not higher than maximum power of the luminaire.
- D. The front safety shields against the lamp explosion are present and in good condition. They consist of 3x3 sqmm mesh made of stainless steel .

WARNING : THE LUMINAIRE SHALL ONLY BE USED COMPLETE WITH ITS PROTECTIVE SHIELD .

6. LAMP INSTALLATION AND REPLACEMENT

The following procedure should be adopted:

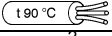
- A. Ensure the luminaire is electrically isolated from the power supply.
- B. WAIT LEAST 5 MINUTES FROM SWITCHING OFF to avoid risk of injury from possible lamp explosion. Then open the wire guard frame.

WARNING: AFTER THE ABOVE MENTIONED TIME THE LAMP MAY STILL BE VERY HOT, USE PROPER THERMAL PROTECTION (EG. GLOVES).

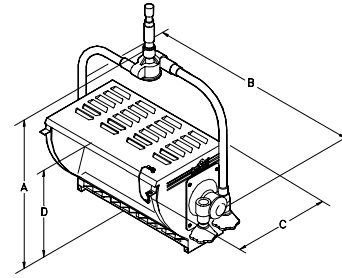
- C. Check that the new lamp is of the correct type (see item 4 .C).
- D. Replace the lamp taking good note of the following:
 - do not touch the bulb with bare-hands; oil and grease can contaminate the bulb surface and then reduce the performance and the lamp life.
 - The plastic cover which protects the lamp should not be removed until after fitting.
 - Should the bulb become dirty due to hand contact or for any other reason, it can be cleaned with a cloth moistened with alcohol
- E. Ensure that the wire guard frame is securely closed.

WARNING : THE LAMP MUST BE REPLACED IF IT HAS BECOME DAMAGED OR DEFORMED .

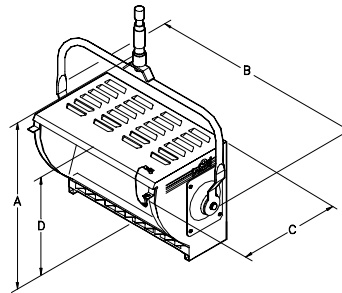
7. CHARACTERISTICS AND PERFORMANCE DATA

DESCRIPTION	VALUE (for 1 compartment)			
Amperage	Europe – 230 V	America – 120 V		
	5.5 A (1250 W)	12.5 A (1500 W)		
Power supply	Europe	America		
	230 V / 0-60 Hz	120 V / 0-60 Hz		
Lamp Holder	Standard Version	Special Versions		
	R7 s	R7 s UL R/C		
Power Cable	Europe 	America		
	3 x 1,5 mm ² H07RN-F 90°C	3 x 16 AWG TYPE SO 90°C		
Protection Class	Class 1– ground connection required			
Protection Type	IP 22			
Max Housing surface temperature	157 °C			
Weight of Fixture	M.O.		P.O.	
	Model	Kg	Model	Kg
	4130	6.05	4140	7,0
	4131	10.3	4141	11.5
	4132	10.5	4142	11.1
	4133	15.0	4143	16.1
	4134	19.0	4144	20.4
	4135	19.6	4145	20.7

Dimensions in mm. P.O.



Dimensions in mm. M.O.



USABLE LAMPS - length-watt-filament	230 v		120 v	
	ANSI	LIF	ANSI	LIF
189 – 625 – sc 8	-	P2/10	Not available	
189 -1000- sc 8	EKM	P2/7	Not available	
189 – 1250 – sc 8	-	P2/12	Not available	
167 – 1000 – sc 8	Not available		FFT	-
167 – 1500 – sc 8	Not available		FDB	-
119 – 1000 – sc 8	-	P2/20	FCM	P2/28

DIMENSIONS	M.O. Versions (mm)					P.O. Versions (mm)				
	Model n°	A	B	C	D	Model n°	A	B	C	D
Giotto 1	4130	432	487	235	246	4140	440	505	235	246
Giotto 2 Vertical	4131	630	487	324	494	4141	635	505	324	494
Giotto 2 Horizontal	4132	432	487	324	494	4142	440	854	235	246
Giotto 3	4133	432	1120	235	246	4143	440	1106	235	246
Giotto 4 Square	4134	630	865	324	494	4144	635	858	324	494
Giotto 4 Horizontal	4135	432	1569	235	246	4145	440	1558	235	246

8. PERIODIC INSPECTION

- The condition of the internal wiring insulation and of the input cable shall be inspected and tested every 500 working hours and at least once a year. This frequency may need to be increased if rough or unknown (eg. rental) treatment is incurred. Replace only with original De Sisti Lighting spare parts. Non-original cables may not withstand the thermal and mechanical conditions of use.
- The lamp condition must be checked every 100 working hours. For lamp replacement follow the procedure of point 6 and the instruction of the lamp manufacturer.
- Check the condition of the safety shield (see chapter 4-D: Installation Instructions) before every use.

9. SAFETY STANDARDS

Europe: The product conforms the Applicable European Directives & Standards	America: the product conforms NEC & UL stds.
<ul style="list-style-type: none"> ⤿ Low Voltage Directive: 73/23/EEC (as amended by 93/68/EEC) ⤿ EMC Directive: 89/336/EEC (as amended by 92/31/EEC & by 93/68/EEC) ⤿ European Standards: EN 60598-2-17, EN 60598-1, EN 55015, EN 61547 	UL Standard : 1573 Approved by UL: file E116219